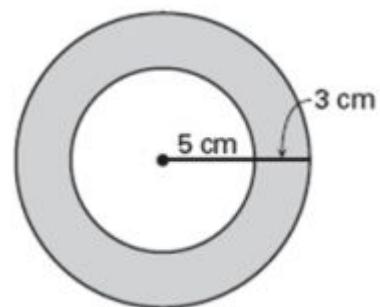
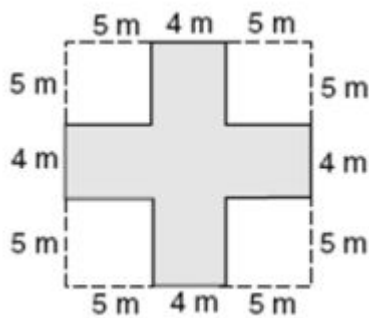
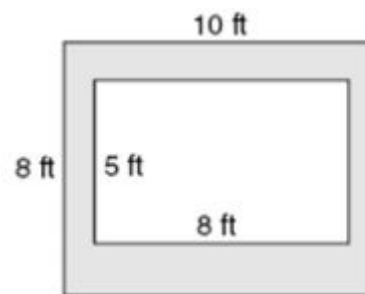
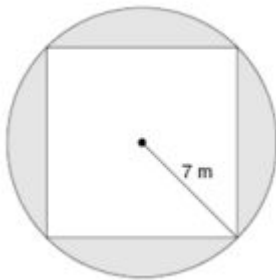
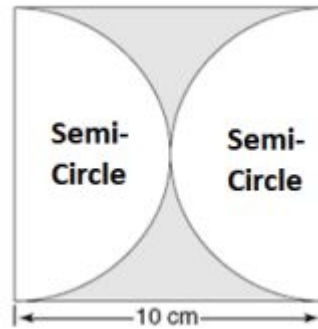
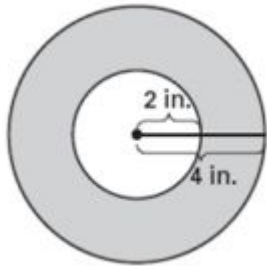


What is the value of the shaded area in these shapes?



6: The shaded square is inscribed within the larger square.

